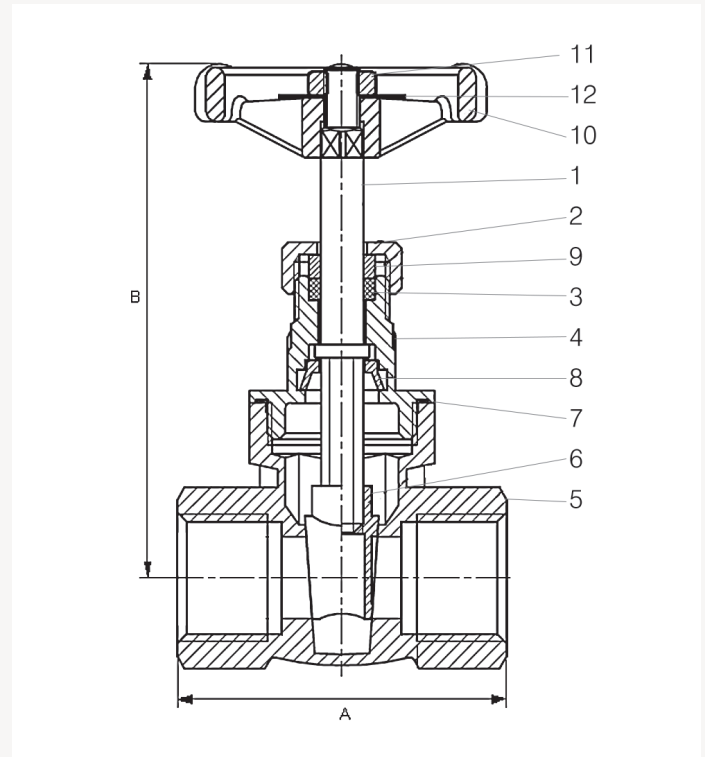


## 1126 Gate Valve Handwheel PN32 - (bronze)



### Material specification

#### 1126 Lockshield version 1/2" to 4"

No	Component	Material	Specification
1	Stem	Bronze	EN 1982 CC491K
2	Packing nut	Brass	EN 12164 CW614N
3	Packing	PTFE	PTFE
4	Bonnet	Bronze	EN 1982 CC491K
5	Body	Bronze	EN 1982 CC491K
6	Wedge	Bronze	EN 1982 CC491K
7	Seal	PTFE	PTFE
8	Stem retainer	DZR brass	EN 12164 CW602N
9	Packing ring	Brass	EN 12164 CW614N
10	Handwheel	Aluminium	EN 1706 LM6
11	Handwheel nut	Brass	EN 12164 CW614N
12	Identity disc	Aluminium	EN 1706 LM6

Gate valves are designed for services that only need infrequent operation, where the gate is maintained at either fully open or fully closed. They should not be used for throttling the flow of fluid.

## Features and benefits:

- Designed in accordance with EN 12288 requirements.
- High quality bronze construction immune to dezincification and stress corrosion cracking resistant.
- End connections, female taper threads to EN 10226-2 (ISO 7-1) and parallel threads to ISO 228.
- WRAS approved for drinking water systems.
- Suitable for use with low temperature hot water and chilled systems.
- Unique Conex Bänninger handwheel.

## 1126 Gate Valve

Order code EN 10226-2 (ISO 7-1) thread	Order code ISO 228 thread	Size	DN	A	B	Kv value	Weight (kg)
112620RRW320404	112620FFW320404	1/2"	15	55	85	16	0.36
112620RRW320606	112620FFW320606	3/4"	20	60	95	32	0.69
112620RRW320808	112620FFW320808	1"	25	70	115	52	1.02
112620RRW321010	112620FFW321010	1.1/4"	32	75	125	100	1.57
112620RRW321212	112620FFW321212	1.1/2"	40	80	145	172	2.44
112620RRW321616	112620FFW321616	2"	50	90	165	230	3.43
112620RRW322020*	112620FFW322020*	2.1/2"	65	100	210	-	-
112620RRW322424*	112620FFW322424*	3"	80	115	240	-	-
112620RRW323232*	112620FFW323232*	4"	100	135	290	-	-

\*Valves available to special order.

## Valve suitability

Product	Steam	Water	Drinking water	Oil	Air (oil free)	Gas (inert)	Gas (combustible)	Gas (corrosive)	Gas (oxygen)
1126	x	✓	✓	✓	x	x	x	x	x

## Max. working parameters

1126	Temperature °C	Pressure bar	Pressure psi
Water	-10 to +100	32	460

## Specification clauses:

- Bronze material in accordance with EN 1982.
- Designed in accordance to EN 12288 requirements.
- Handwheel operated.
- Non-rising stem.
- Bronze threaded bonnet and one piece wedge.
- End connections, female taper threads to EN 10226-2 (ISO 7-1) and parallel threads to ISO 228.
- Suitable for low temperature hot water and chilled systems.

