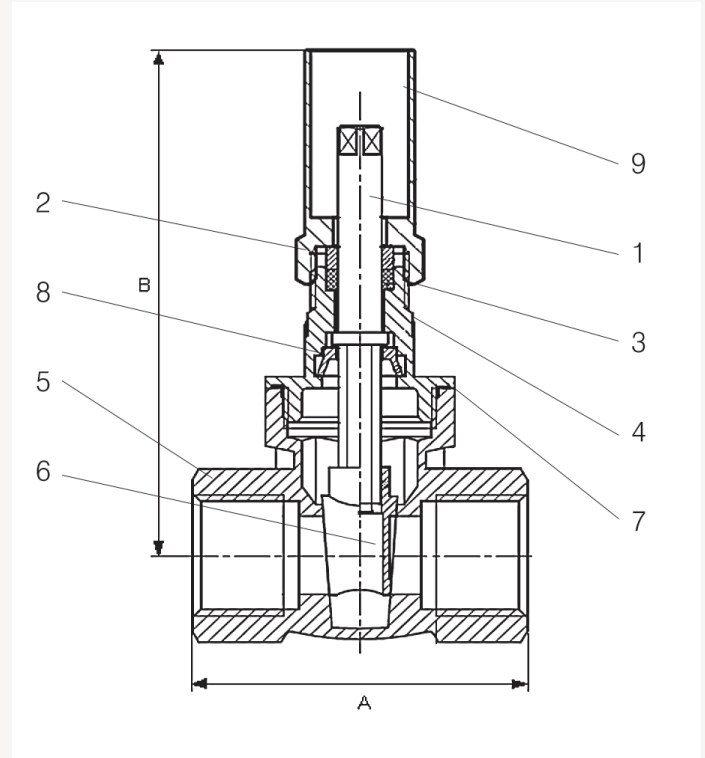


## 1124 Gate Valve Lockshield PN20 - (DZR)



### Material specification

#### 1124 Lockshield version 1/2" to 4"

No	Component	Material	Specification
1	Stem	DZR brass	EN 12164 CW602N
2	Packing nut	Brass	EN 12164 CW614N
3	Packing	PTFE	PTFE
4	Bonnet	DZR brass	EN 12165 CW602N
5	Body	DZR brass	EN 12165 CW602N
6	Wedge	DZR brass	EN 12165 CW602N
7	Seal	PTFE	PTFE
8	Stem retainer	DZR brass	EN 12164 CW602N
9	Lockshield	Brass	EN 12164 CW614N

Gate valves are designed for services that only need infrequent operation, where the gate is maintained at either fully open or fully closed. They should not be used for throttling the flow of fluid.

## Features and benefits:

- Non-rising stem.
- Lockshield key operated.
- End connections, female taper threads to EN 10226-2 (ISO 7-1) and parallel threads to ISO 228.
- Dezincification resistant brass prevents system.
- WRAS approved for drinking water systems, taper threads to EN 10226-2 (ISO 7-1).
- Suitable for use with low temperature hot water and chilled systems.

## 1124 Gate Valve

Order code EN 10226-2 (ISO 7-1) thread	Order code ISO 228 thread	Size	DN	A	B	Kv value	Weight (kg)
112450RRK200404	112450FFK200404	1/2"	15	55	85	16	0.26
112450RRK200606	112450FFK200606	3/4"	20	60	95	32	0.40
112450RRK200808	112450FFK200808	1"	25	65	110	52	0.57
112450RRK201010	112450FFK201010	1.1/4"	32	75	125	100	0.96
112450RRK201212	112450FFK201212	1.1/2"	40	80	145	172	1.13
112450RRK201616	112450FFK201616	2"	50	90	170	230	1.81
112450RRK202020*	112450FFK202020*	2.1/2"	65	100	210	-	3.68
112450RRK202424*	112450FFK202424*	3"	80	115	240	-	5.42
112450RRK203232*	112450FFK203232*	4"	100	135	290	-	10.59

\*Valves available to special order.

A--GVLKKEY-- Lockshield key for valves 1/2" to 1"

B--GVLKKEY-- Lockshield key for valves 1.1/4" to 2"

## Valve suitability

Product	Steam	Water	Drinking water	Oil	Air (oil free)	Gas (inert)	Gas (combustible)	Gas (corrosive)	Gas (oxygen)
1124	x	✓	✓	✓	x	x	x	x	x

## Max. working parameters

1124	Temperature °C	Pressure bar	Pressure psi
Water	-10 to +100	20	290

## Specification clauses:

- DZR brass gate valve.
- Non-rising stem.
- DZR threaded bonnet and one piece wedge.
- Lockshield key operated.
- End connections, female taper threads to EN 10226-2 (ISO 7-1) and parallel threads to ISO 228.
- WRAS approved for drinking water systems.
- Suitable for low temperature hot water and chilled systems.

