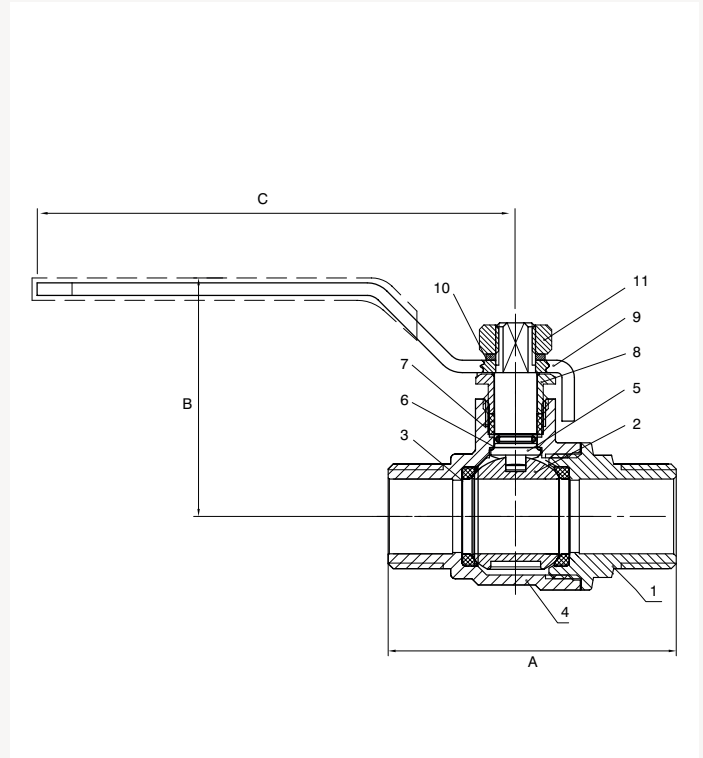


1232 Quarter Turn Ball Valve M x M PN25 - (brass chrome plated) - red lever



Material specification

1232 Lever handle version 1/2" to 2"

No	Component	Material	Specification
1	End connector	Brass - chrome plate	EN 12165 CW617N-DW
2	Ball	Brass - chrome plate	EN 12165 CW617N-DW
3	Ball seal	PTFE	PTFE
4	Body	Brass - chrome plate	EN 12165 CW617N-DW
5	Stem	Brass	EN 12164 CW617N-DW
6	Stem O-ring	EPDM	EN 2430: 1995
7	Gland	PTFE	PTFE
8	Packing nut	Brass	EN 12164 CW617N-DW
9	Lever handle	Steel	EN 24T + polyethylene HD
10	Washer	Stainless steel	ISO 15510
11	Lever nut	Stainless steel	ISO 15510

## Features and benefits:

- Full bore quarter turn ball valve.
- Blow out proof stem.
- End connections male x male, taper threads to EN 10226-2 (ISO 7-1).
- Designed in accordance with WRAS requirements.
- Unique Conex Bänninger lever handle.

## 1232 Ball Valve

Order code EN 10226-2 (ISO 7-1) thread	Size	DN	A	B	C	Kv value	Weight (kg)
123213TTR250404	1/2"	15	55	48	95	16	0.208
123213TTR250606	3/4"	20	65	52	95	30	0.312
123213TTR250808	1"	25	78	65	130	48	0.602
123213TTR251010	1.1/4"	32	91	69	130	100	0.924
123213TTR251212	1.1/2"	40	99	80	160	170	1.362
123213TTR251616	2"	50	119	88	160	230	2.224

## Valve suitability

Product	Steam	Water	Drinking water	Oil	Air (oil free)	Gas (inert)	Gas (combustible)	Gas (corrosive)	Gas (oxygen)
1232	x	✓	✓	✓	✓	x	x	x	x

This valve is not suitable for gas applications.

## Max. working parameters

1232	Temperature °C	Pressure bar	Pressure psi
Water	-10 to +120	25	360

## Specification clauses:

- Lever operated quarter turn, tight shut-off.
- Brass stem.
- Chrome plated brass ball, body and end connectors.
- PTFE seats and stem gland seal.
- EPDM stem O-ring.
- End connections male x male, taper threads to EN 10226-2 (ISO 7-1).
- Designed in accordance with WRAS requirements.