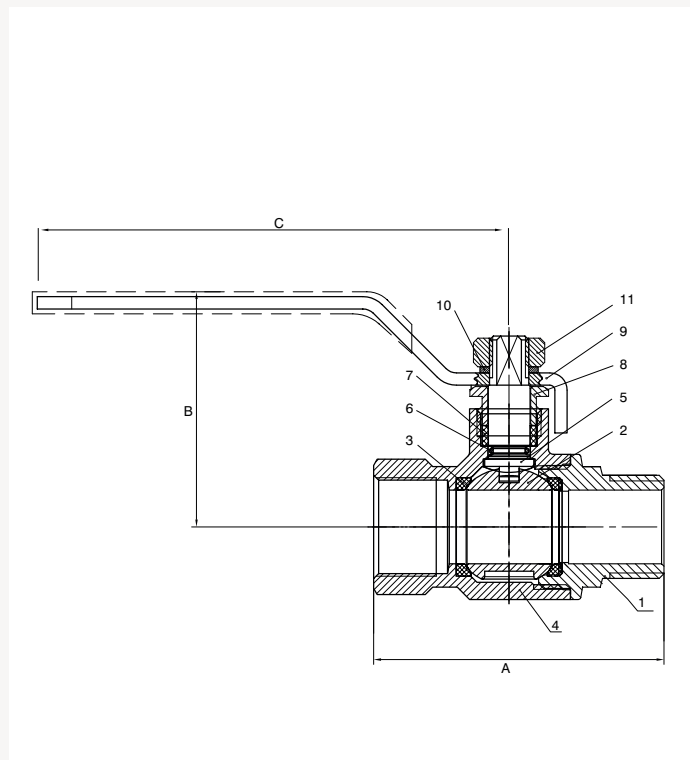


1231 Quarter Turn Ball Valve M x F PN25 - (brass chrome plated) - red lever



Material specification

1231 Lever handle version 1/2" to 2"			
No	Component	Material	Specification
1	End connector	Brass - chrome plate	EN 12165 CW617N-DW
2	Ball	Brass - chrome plate	EN 12165 CW617N-DW
3	Ball seal	PTFE	PTFE
4	Body	Brass - chrome plate	EN 12165 CW617N-DW
5	Stem	Brass	EN 12164 CW617N-DW
6	Stem O-ring	EPDM	EN 2430: 1995
7	Gland	PTFE	PTFE
8	Packing nut	Brass	EN 12164 CW617N-DW
9	Lever handle	Steel	EN 24T + polyethylene HD
10	Washer	Stainless steel	ISO 15510
11	Lever nut	Stainless steel	ISO 15510

Features and benefits:

- Full bore quarter turn ball valve.
- Blow out proof stem.
- Male x female end connections, taper threads to EN 10226-2 (ISO 7-1).
- Designed in accordance with WRAS requirements.
- Unique Conex Bänninger lever handle.

1231 Ball Valve

Order code EN 10226-2 (ISO 7-1) thread	Size	DN	A	B	C	Kv value	Weight (kg)
123113TRR250404	1/2"	15	55	48	95	16	0.208
123113TRR250606	3/4"	20	65	52	95	30	0.312
123113TRR250808	1"	25	78	65	130	48	0.602
123113TRR251010	1.1/4"	32	91	69	130	100	0.924
123113TRR251212	1.1/2"	40	99	80	160	170	1.362
123113TRR251616	2"	50	119	88	160	230	2.224

Valve suitability

Product	Steam	Water	Drinking water	Oil	Air (oil free)	Gas (inert)	Gas (combustible)	Gas (corrosive)	Gas (oxygen)
1231	x	✓	✓	✓	✓	x	x	x	x

This valve is not suitable for gas applications.

Max. working parameters

1231	Temperature °C	Pressure bar	Pressure psi
Water	-10 to +120	25	360

Specification clauses:

- Lever operated quarter turn, tight shut-off.
- Chrome plated brass ball, body and end connectors.
- Brass stem.
- PTFE seats and stem gland seal.
- EPDM stem O-ring.
- Male x female end connections, female taper threads to EN 10226-2 (ISO 7-1).
- Designed in accordance with WRAS requirements.