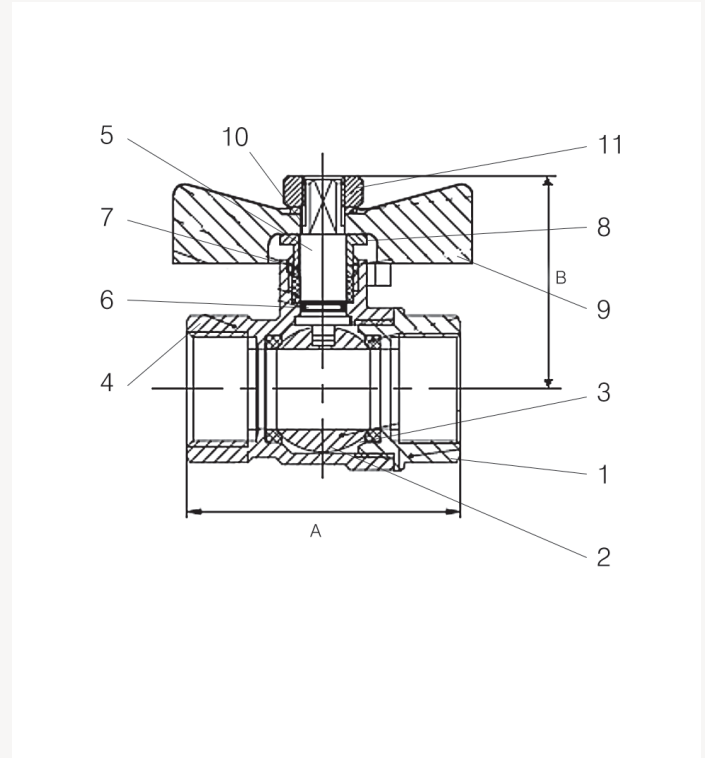


1225 Quarter Turn Ball Valve PN40 (DZR) red tee



Material specification

1225 Tee handle version 1/2" to 1"

| No | Component | Material | Specification |
|----|---------------|----------------------|--------------------|
| 1 | End connector | DZR brass | EN 12165 CW602N |
| 2 | Ball | Brass - chrome plate | EN 12165 CW617N-DW |
| 3 | Ball seal | PTFE | PTFE |
| 4 | Body | DZR brass | EN 12165 CW602N |
| 5 | Stem | DZR brass | EN 12164 CW602N |
| 6 | Stem O-ring | EPDM | EN 2430: 1995 |
| 7 | Gland | PTFE | PTFE |
| 8 | Packing nut | Brass | EN 12164 CW617N-DW |
| 9 | Tee handle | Aluminium | EN 1706 LM6 |
| 10 | Washer | Stainless steel | ISO 15510 |
| 11 | Lever nut | Stainless steel | ISO 15510 |

Features and benefits:

- Full bore quarter turn ball valve.
- Blow out proof stem.
- Full DZR construction.
- End connections, female taper threads to EN 10226-2 (ISO 7-1) and parallel to ISO 228.
- WRAS approved for drinking water applications.
- Suitable for low temperature hot water and chilled systems.

1225 Ball valve

| Order code EN 10226-2 (ISO 7-1) thread | Order code ISO 228 thread | Size | DN | A | B | Kv value | Weight (kg) |
|--|------------------------------|------|----|----|----|-------------|----------------|
| 122550RRT400404 | 122550FFT400404 | 1/2" | 15 | 55 | 38 | 16 | 0.210 |
| 122550RRT400606 | 122550FFT400606 | 3/4" | 20 | 65 | 42 | 30 | 0.342 |
| 122550RRT400808 | 122550FFT400808 | 1" | 25 | 78 | 50 | 48 | 0.648 |

Valve suitability

| Product | Steam | Water | Drinking water | Oil | Air (oil free) | Gas (inert) | Gas (combustible) | Gas (corrosive) | Gas (oxygen) |
|---------|-------|-------|-------------------|-----|-------------------|----------------|----------------------|--------------------|-----------------|
| 1225 | x | ✓ | ✓ | ✓ | ✓ | x | x | x | x |

This valve is not suitable for gas applications.

Max. working parameters

| 1225 | Temperature °C | Pressure bar | Pressure psi |
|-------|----------------|--------------|--------------|
| Water | -10 to +120 | 40 | 580 |

Specification clauses:

- Tee operated quarter turn, tight shut-off.
- DZR brass body, stem and cap.
- Chrome plated brass ball.
- PTFE seats and stem gland seal.
- EPDM stem O-ring.
- End connections, female taper threads to EN 10226-2 (ISO 7-1) and parallel threads to ISO 228.
- WRAS approved for drinking water applications.
- Suitable for low temperature hot water and chilled water systems.