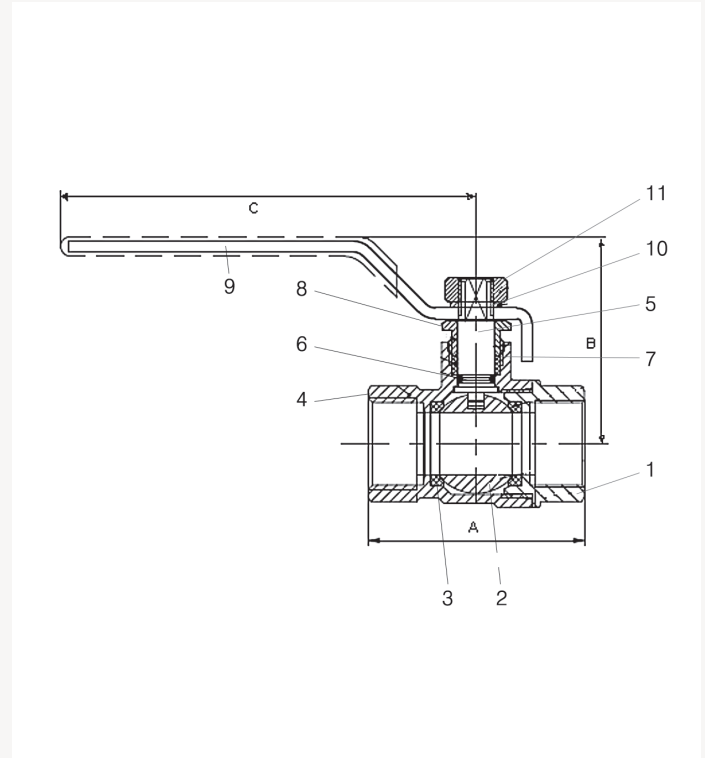


1220 Quarter Turn Ball Valve PN40 - (DZR) - red lever



Material specification

1220 Lever handle version 1/2" to 2"

No	Component	Material	Specification
1	End connector	DZR brass	EN 12165 CW602N
2	Ball	Brass - chrome plate	EN 12165 CW617N-DW
3	Ball seal	PTFE	PTFE
4	Body	DZR brass	EN 12165 CW602N
5	Stem	DZR brass	EN 12164 CW602N
6	Stem O-ring	EPDM	EN 2430: 1995
7	Gland	PTFE	PTFE
8	Packing nut	Brass	EN 12164 CW617N-DW
9	Lever handle	Steel	EN 24T + polyethylene HD
10	Washer	Stainless steel	ISO 15510
11	Lever nut	Stainless steel	ISO 15510

Features and benefits:

- Full bore quarter turn ball valve.
- Blow out proof stem.
- Full DZR construction.
- End connections, female taper threads to EN 10226-2 (ISO 7-1) and parallel threads to ISO 228.
- WRAS approved for drinking water applications.
- Suitable for low temperature hot water and chilled systems.
- Unique Conex Bänninger lever handle.

1220 Ball Valve

Order code EN 10226-2 (ISO 7-1) thread	Order code ISO 228 thread	Size	DN	A	B	C	Kv value	Weight (kg)
122050RRR400404	122050FFR400404	1/2"	15	55	48	95	16	0.226
122050RRR400606	122050FFR400606	3/4"	20	65	52	95	30	0.360
122050RRR400808	122050FFR400808	1"	25	78	65	130	48	0.648
122050RRR401010	122050FFR401010	1.1/4"	32	91	69	130	100	0.976
122050RRR401212	122050FFR401212	1.1/2"	40	99	80	160	170	1.430
122050RRR401616	122050FFR401616	2"	50	119	88	160	230	2.050

Valve suitability

Product	Steam	Water	Drinking water	Oil	Air (oil free)	Gas (inert)	Gas (combustible)	Gas (corrosive)	Gas (oxygen)
1220	x	✓	✓	✓	✓	x	x	x	x

This valve is not suitable for gas applications.

Max. working parameters

1220	Temperature °C	Pressure bar	Pressure psi
Water	-10 to +120	40	580

Specification clauses:

- Lever operated quarter turn, tight shut-off.
- DZR brass body, stem and cap.
- Chrome plated brass ball.
- PTFE seats and stem gland seal.
- EPDM stem O-ring.
- End connections, taper threads to EN 10226-2 (ISO 7-1) and parallel threads to ISO 228.
- WRAS approved for drinking water applications.
- Suitable for low temperature hot water and chilled systems.