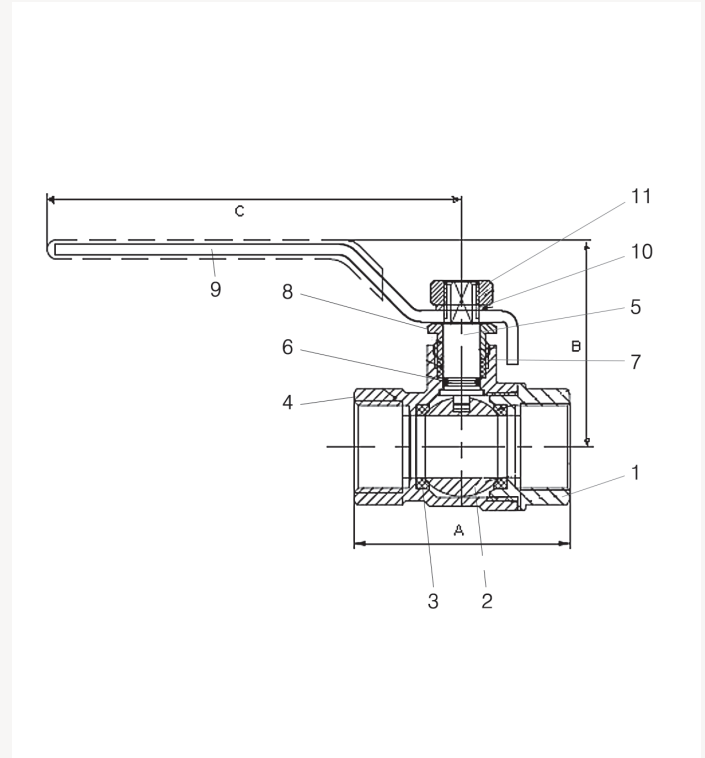


1210 Quarter Turn Ball Valve PN40 - (brass chrome plated) - red lever



Material specification

1210 Lever handle version 1/2" to 2"

No	Component	Material	Specification
1	End connector	Brass - chrome plate	EN 12165 CW617N-DW
2	Ball	Brass - chrome plate	EN 12165 CW617N-DW
3	Ball seal	PTFE	PTFE
4	Body	Brass - chrome plate	EN 12165 CW617N-DW
5	Stem	Brass	EN 12164 CW617N-DW
6	Stem O-ring	EPDM	EN 2430: 1995
7	Gland	PTFE	PTFE
8	Packing nut	Brass	EN 12164 CW617N-DW
9	Lever handle	Steel	EN 24T + polyethylene HD
10	Washer	Stainless steel	ISO 15510
11	Lever nut	Stainless steel	ISO 15510

Features and benefits:

- Full bore quarter turn ball valve.
- Blow out proof stem.
- End connections, female taper threads to EN 10226-2 (ISO 7-1) and parallel threads to ISO 228.
- WRAS approved for drinking water applications.
- Unique Conex Bänninger lever handle.

1210 Ball Valve									
Order code EN 10226-2 (ISO 7-1) thread	Order code ISO 228 thread	Size	DN	A	B	C	Kv value	Weight (kg)	
121013RRR400404	121010FFR400404	1/2"	15	55	48	95	16	0.226	
121013RRR400606	121010FFR400606	3/4"	20	65	52	95	30	0.400	
121013RRR400808	121010FFR400808	1"	25	78	65	130	48	0.648	
121013RRR401010	121010FFR401010	1.1/4"	32	91	69	130	100	0.976	
121013RRR401212	121010FFR401212	1.1/2"	40	99	80	160	170	1.430	
121010RRR401616	121010FFR401616	2"	50	119	88	160	230	2.450	

Valve suitability

Product	Steam	Water	Drinking water	Oil	Air (oil free)	Gas (inert)	Gas (combustible)	Gas (corrosive)	Gas (oxygen)
1210	x	✓	✓	✓	✓	x	x	x	x

This valve is not suitable for gas applications.

Max. working parameters

1210	Temperature °C	Pressure bar	Pressure psi
Water	-10 to +120	40	580

Specification clauses:

- Lever operated quarter turn, tight shut-off.
- Brass body, stem and cap.
- Chrome plated brass ball, body and end connectors.
- PTFE seats and stem gland seal.
- EPDM stem O-ring.
- End connections, female taper threads to EN 10226-2 (ISO 7-1) and parallel threads to ISO 228.
- WRAS approved for drinking water applications.