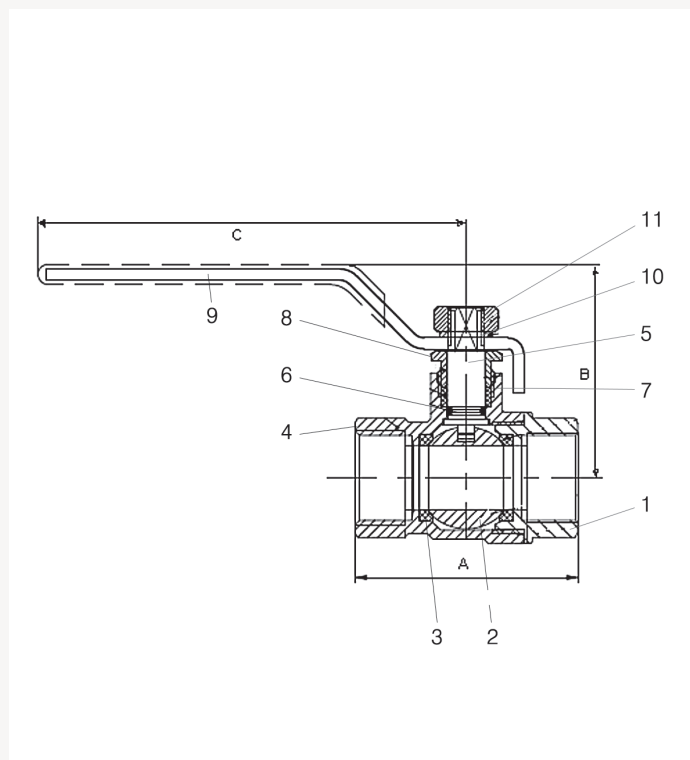


1200 Quarter Turn Ball Valve - PN25 (DZR) - red lever



Material specification

1200 Lever handle version 1/2" to 2"			
No	Component	Material	Specification
1	End connector	DZR brass	EN 12165 CW602N
2	Ball	Brass - chrome plate	EN 12165 CW617N-DW
3	Ball seal	PTFE	PTFE
4	Body	DZR brass	EN 12165 CW602N
5	Stem	DZR brass	EN 12164 CW602N
6	Stem O-ring	EPDM	EN 2430: 1995
7	Gland	PTFE	PTFE
8	Packing nut	Brass	EN 12164 CW617N-DW
9	Lever handle	Steel	EN 24T + polyethylene HD
10	Washer	Stainless steel	ISO 15510
11	Lever nut	Stainless steel	ISO 15510

Features and benefits:

- Full bore quarter turn ball valve.
- Blow out proof stem.
- Full DZR construction.
- End connections, female taper threads to EN 10226-2 (ISO 7-1) and parallel threads to ISO 228.
- WRAS approved for drinking water applications.
- Suitable for low temperature hot water and chilled systems.
- Unique Conex Bänninger lever handle.

1200 Ball Valve									
Order code EN 10226-2 (ISO 7-1) thread	Order code ISO 228 thread	Size	DN	A	B	C	Kv value	Weight (kg)	
120050RRR250404	120050FFR250404	1/2"	15	55	48	95	16	0.208	
120050RRR250606	120050FFR250606	3/4"	20	65	52	95	30	0.332	
120050RRR250808	120050FFR250808	1"	25	78	65	130	48	0.602	
120050RRR251010	120050FFR251010	1.1/4"	32	91	69	130	100	0.927	
120050RRR251212	120050FFR251212	1.1/2"	40	99	80	160	170	1.362	
120050RRR251616	120050FFR251616	2"	50	119	88	160	230	2.224	

Valve suitability

Product	Steam	Water	Drinking water	Oil	Air (oil free)	Gas (inert)	Gas (combustible)	Gas (corrosive)	Gas (oxygen)
1200	x	✓	✓	✓	✓	x	x	x	x

This valve is not suitable for gas applications.

Max. working parameters

1200	Temperature °C	Pressure bar	Pressure psi
Water	-10 to +120	25	360

Specification clauses:

- Lever operated quarter turn, tight shut-off.
- DZR brass body, stem and end connector.
- Chrome plated brass ball.
- PTFE seats and stem gland seal.
- End connections, female taper threads to EN 10226-2 (ISO 7-1) and parallel threads to ISO 228.
- WRAS approved for drinking water applications.
- EPDM stem O-ring.
- Suitable for low temperature hot water and chilled systems.