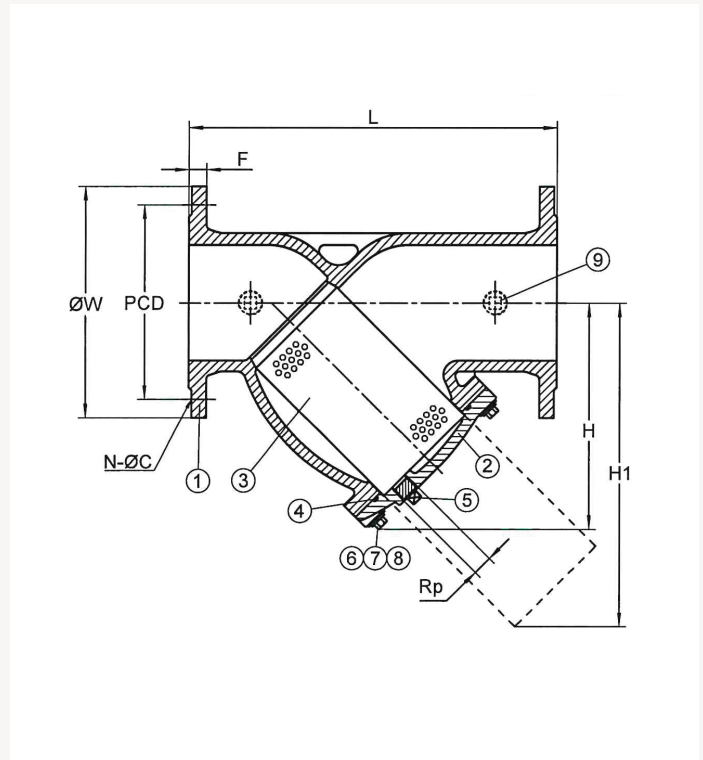


YSTF Y-Pattern Strainer Valves PN16 flanged



Material specification

YSTF Y-Pattern Strainer Valves Flanged 2" to 16"

No	Component	Material
1	Body	Ductile iron
2	Cover	Ductile iron
3	Screen	Stainless steel SS304
4	Packing	EPDM
5	Drain plug	Stainless steel SS304
6	Bolt	Carbon steel
7	Spring washer	Spring steel 65 Mn
8	Washer	Carbon steel
9	Test point plug 1/4"	Stainless steel SS304

Note: Test points not configured on standard product.

## Applicable standards:

- Connection standard: EN 1092-2.
- Pressure test standard: EN 12266-1.
- Face to face dimensions:  
EN 558 Series 1.

## Technical data:

- Size: DN 50 – DN 400 (2" - 16").
- Nominal pressure: PN16.
- Shell test pressure: 24 bar.
- Seat test pressure: 17.6 bar.
- Temperature range: -10 °C to 120 °C.
- Suitable for: Water and neutral liquids.

## Features and benefits:

- Manufactured from high quality ductile iron.
- Screen is punched stainless steel plate.
- Mesh diameter varies with valve size.
- Drain point to enable draining of debris from trapped inside screen.
- Electrostatically coated with corrosion resistant epoxy powder internally and externally. Minimum coating thickness 250 microns.

### YSTF Y-Pattern Strainer Valves Flanged 2" to 16"

Order Code	Size	DN	L	H	H1	Rp Drain plug	Mesh Dia.	F	ØW	EN 1092-2 PN16	
										PCD	N-ØC
Y0050CFCMN01SO	2"	50	230	124	183	3/8"	1.5	18	165	Ø125	4-Ø19
Y0065CFCMN01SO	2 1/2"	65	290	137	205	3/8"	1.5	18	185	Ø145	4-Ø19
Y0080CFCMN01SO	3"	80	310	152	238	3/8"	1.5	18	200	Ø160	8-Ø19
Y0100CFCMN01SO	4"	100	350	205	318	3/8"	1.5	18	220	Ø180	8-Ø19
Y0125CFCMN01SO	5"	125	400	244	358	3/8"	1.5	18	250	Ø210	8-Ø19
Y0150CFCMN01SO	6"	150	480	269	380	3/8"	1.5	18	285	Ø240	8-Ø23
Y0200CFCMN01SO	8"	200	600	341	508	1/2"	2.5	19	340	Ø295	12-Ø23
Y0250CFCMN01SO	10"	250	730	455	700	1/2"	2.5	22	405	Ø355	12-Ø28
Y0300CFCMN01SO	12"	300	850	476	730	1/2"	2.5	24.5	460	Ø410	12-Ø28
Y0350CFCMN01SO	14"	350	980	725	1130	3/4"	2.5	26.5	520	Ø470	16-Ø28
Y0400CFCMN01SO	16"	400	1100	820	1285	3/4"	3.5	28	580	Ø525	16-Ø31