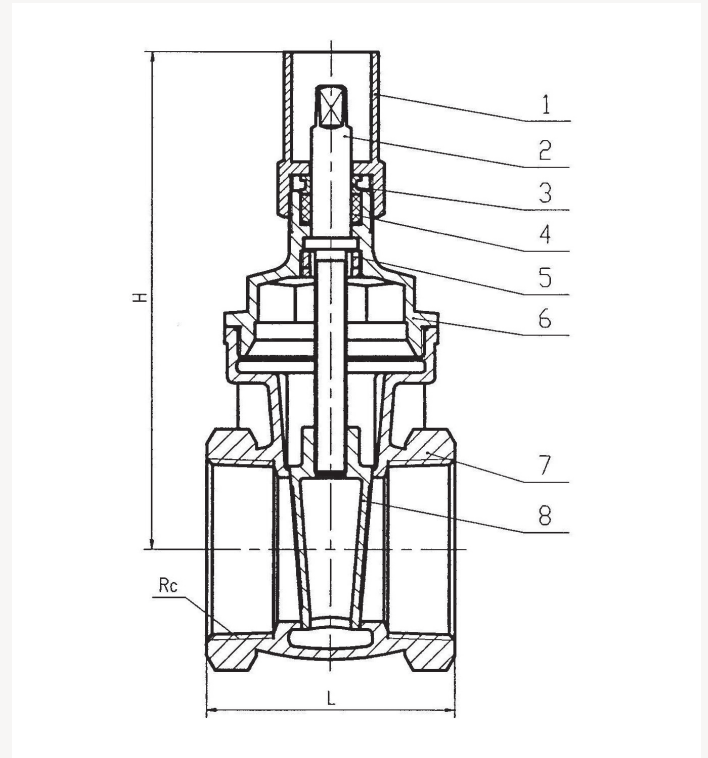


## 2121 Gate Valve Lockshield PN20 (bronze)



### Material specification

#### 2121 Lockshield version 1/2" to 4"

No	Component	Material
1	Stem	DZR brass CW602N
2	Lockshield	Brass CW614N
3	Clamping ring	Brass CW617N
4	Packing	PTFE
5	Stem bush	DZR brass CW602N
6	Bonnet	Bronze CC491K
7	Body	Bronze CC491K
8	Disc	Bronze CC491K

Gate valves are designed for services that only need infrequent operation, where the gate is maintained at either fully open or fully closed. They should not be used for throttling the flow of fluid.

## Features and benefits:

- Pressure rating: PN20.
- Working medium: water and oil.
- Working temperature: -10 °C to 170 °C.
- Designed in accordance to EN 12288 requirements.
- High quality bronze construction immune to dezincification and stress corrosion cracking resistant.
- Robust construction ensures reliable in-process service.
- Lockshield key operated.
- Bronze material in accordance with EN 1982.
- End connections, ISO 7-1 female taper BSPT threads.
- Suitable for use with low temperature hot water and chilled systems.

## 2121 Gate Valve Lockshield PN20 (bronze) 1/2" to 2"

Order code	Size	DN	L	H
212120RRK200404	1/2"	15	43	78
212120RRK200606	3/4"	20	49	86
212120RRK200808	1"	25	54	105
212120RRK201010	1 1/4"	32	62	116
212120RRK201212	1 1/2"	40	65	133
212120RRK201616	2"	50	75	155

## Valve suitability

Product	Steam	Water	Drinking water	Oil	Air (oil free)	Gas (inert)	Gas (combustible)	Gas (corrosive)	Gas (oxygen)
2121	x	✓	x	✓	x	x	x	x	x

## Max. working parameters

2121	Temperature °C	Pressure bar	Pressure psi
Water	-10 to +100	20	290

## Specification clauses:

- Bronze material in accordance with EN 1982.
- High quality bronze construction immune to dezincification and stress corrosion cracking resistant.
- Designed in accordance to EN 12288 requirements.
- Robust construction ensures reliable in-process service.
- Lockshield key operated.
- Pressure rating: PN20.
- Working medium: water and oil.
- Working temperature: -10 °C to 170 °C.
- End connections, ISO 7-1 female taper BSPT threads.
- Suitable for use with low temperature hot water and chilled systems.