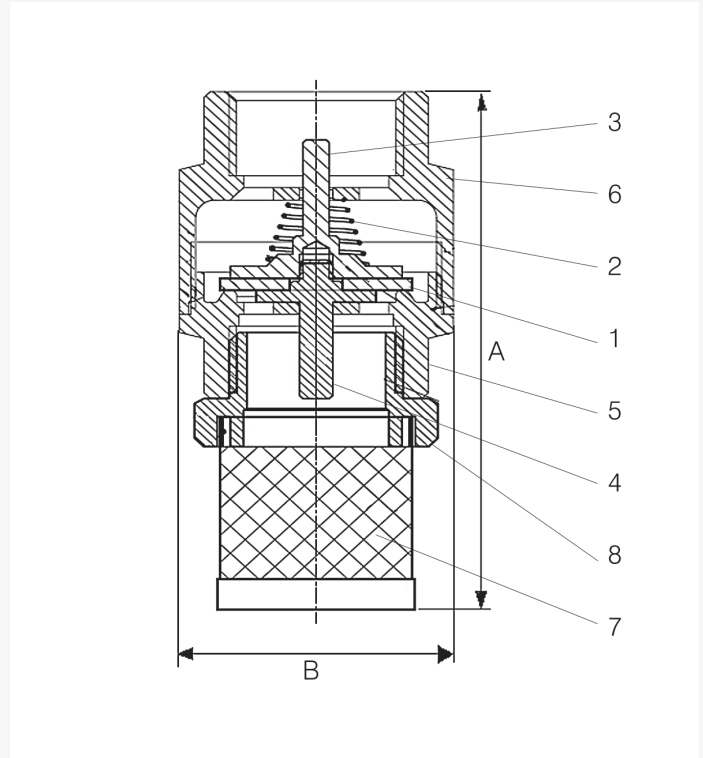


1461 Foot Valve PN10/PN12 - (brass)



Material specification

1461 Foot Valve 1/2" to 2"			
No	Component	Material	Specification
1	Seat	EPDM	EN 2430: 1995
2	Spring	Stainless steel	ISO 15510
3	Spindle core (upstream)	Brass	EN 12165 CW617N-DW
4	Spindle core (downstream)	Brass	EN 12165 CW617N-DW
5	Bonnet	Brass	EN 12165 CW617N-DW
6	Body	Brass	EN 12165 CW617N-DW
7	Strainer	Stainless steel	ISO 15510
8	Strainer adaptor	Acetal	Acetal

Features and benefits:

- WRAS approved for drinking water applications.
- Brass core for improved strength and performance.
- PN12 up to 1", PN10 above 1".
- End connections, female parallel threads to ISO 228 female ends.
- Suitable for low temperature hot water systems.

1451 Spring Check Non Return Valve

Order code ISO 228 thread	Size	DN	A	B	Kv value	Weight (kg)
145110FF0120404	1/2"	15	65	33	2.4	0.14
145110FF0120606	3/4"	20	86	42	3.3	0.24
145110FF0120808	1"	25	103	47	-	0.27
145110FF0101010	1.1/4"	32	119	59	17.2	0.52
145110FF0101212	1.1/2"	40	141	67	36.5	0.74
145110FF0101616	2"	50	159	83	52.7	1.06

Valve suitability

Product	Steam	Water	Drinking water	Oil	Air (oil free)*	Gas (inert)	Gas (combustible)	Gas (corrosive)	Gas (oxygen)
1451	x	✓	x	✓	✓	x	x	x	x

* Limited to 5 bar max.

Max. working parameters

1451	Size	Temperature °C	Pressure bar	Pressure psi	Min. operating pressure bar
Water	1/2" - 1"	-10 to +100	12	174	-0.002 to +0.04
Water	1.1/4" - 2"	-10 to +100	10	145	-0.002 to +0.04

Not suitable for temperatures above +100 °C.

Specification clauses:

- WRAS approved for drinking water applications.
- Suitable for low temperature hot water systems.
- End connections, female parallel threads to ISO 228 female ends.
- Brass core for improved strength and performance.