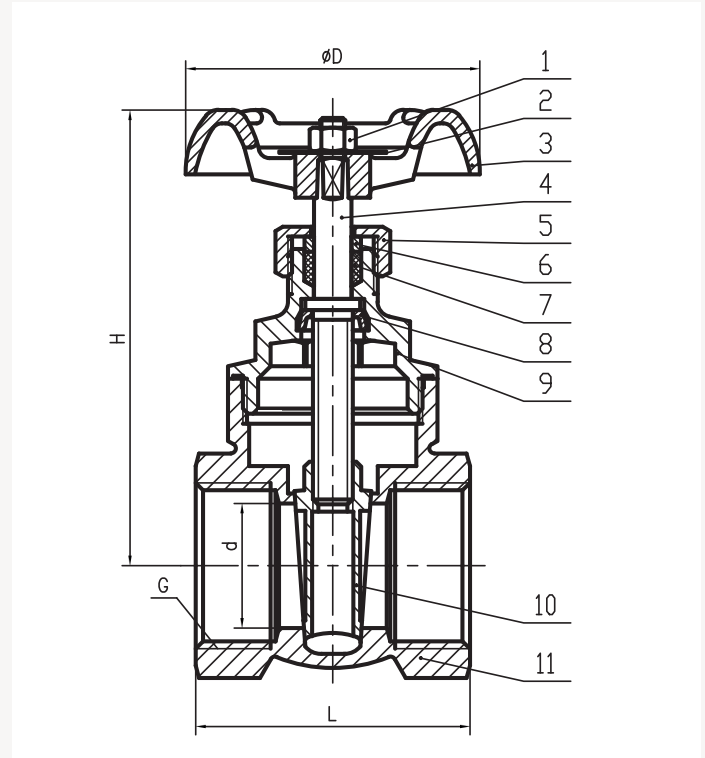


## 2121 Gate Valve Handwheel PN20 (bronze)



### Material specification

#### 2121 Handwheel Version 1/2" to 4"

No	Component	Material
1	Nut	Brass CW614N
2	ID plate	Aluminium
3	Handwheel*	Aluminium
3	Handwheel**	Cast iron
4	Stem	Brass CW602N
5	Packing nut	Brass CW614N
6	Ring***	Brass CW617N
7	Packing	PTFE
8	Stem bush	Brass CW602N
9	Bonnet	Bronze CC491K
10	Disc	Bronze CC491K
11	Body	Bronze CC491K

\* 1/2" to 2 1/2" only, \*\* 3" to 4" only, \*\*\* 1 1/2" to 4" only

Gate valves are designed for services that only need infrequent operation, where the gate is maintained at either fully open or fully closed. They should not be used for throttling the flow of fluid.

## Features and benefits:

- WRAS approved for drinking water systems.
- Pressure rating: PN20.
- Working medium: water and oil.
- Working temperature: -10 °C to 170 °C.
- Designed in accordance to EN 12288 requirements.
- High quality bronze construction immune to dezincification and stress corrosion cracking resistant.
- Robust construction ensures reliable in-process service.
- Bronze material in accordance with EN 1982.
- End connections, ISO 7-1 female taper BSPT threads.
- Suitable for use with low temperature hot water and chilled systems.

## 2121 Gate Valve Handwheel PN20 (bronze) 1/2" to 4"

Order code	Size	DN	d	L	H	D
212120RRW200404	1/2"	15	13	43	78	52
212120RRW200606	3/4"	20	19	49	92	60
212120RRW200808	1"	25	25	54	103	60
212120RRW201010	1 1/4"	32	32	62	116	70
212120RRW201212	1 1/2"	40	38	65	133	78
212120RRW201616	2"	50	50	75	158	92
212120RRW202020	2 1/2"	65	63	87	190	100
212120RRW202424	3"	80	76	105	215	110
212120RRW203232	4"	100	100	124	258	130

## Valve suitability

Product	Steam	Water	Drinking water	Oil	Air (oil free)	Gas (inert)	Gas (combustible)	Gas (corrosive)	Gas (oxygen)
2121	x	✓	✓	✓	x	x	x	x	x

## Max. working parameters

2121	Temperature °C	Pressure bar	Pressure psi
Water	-10 to +170	20	290

## Specification clauses:

- WRAS approved for drinking water systems.
- Bronze material in accordance with EN 1982.
- High quality bronze construction immune to dezincification and stress corrosion cracking resistant.
- Designed in accordance to EN 12288 requirements.
- Robust construction ensures reliable in-process service.
- Pressure rating: PN20.
- Working medium: water and oil.
- Working temperature: -10 °C to 170 °C.
- End connections, ISO 7-1 female taper BSPT threads.
- Suitable for use with low temperature hot water and chilled systems.