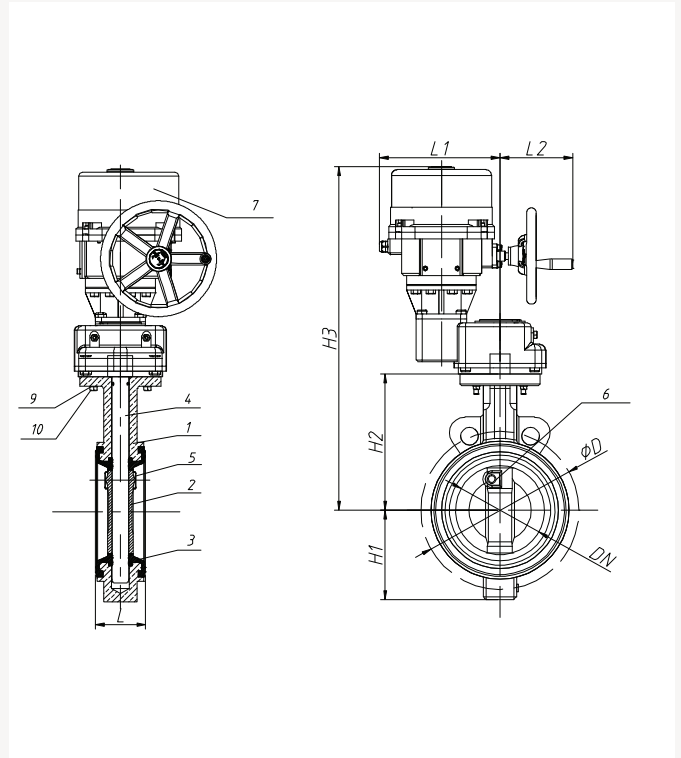


## BWTX Wafer Concentric Butterfly Valve with Electric On/Off Actuator PN16



Note: This is a motorised version of the BW series butterfly valve. On off actuator.

### Material specification

#### BWTX Wafer Concentric Butterfly Valve with Electric On/Off Actuator 2" to 24"

No	Component	Material
1	Body	Ductile iron GGG40
2	Disc	304 stainless steel
3	Seat	EPDM
4	Stem	410 stainless steel
5	Wedge pin	431 stainless steel
6	Screw pin	304 stainless steel
7	Actuator and gearbox	Manufactured by Rotork
8	Key	45 carbon steel
9	Washer	65 Mn steel
10	Bolt	Grade 8.8 carbon steel
11	O-ring	EPDM

## Valve applicable standards:

- Design standard: EN 593, BS 5155.
- Connection standard: EN 1092-2.
- Face to face standard: EN 558-1 basic series 20.
- Top flange standard: ISO 5211-1.

## Valve technical data:

- Size: DN 50 - DN 150 (2" - 6").
- Nominal pressure: PN16.
- Temperature range: -10 °C to 90 °C.
- Suitable for water and neutral liquids.

## Valve features and benefits:

- Wafer pattern design, for quick installation.
- Replaceable EPDM seat suitable for variety of flange types.
- Streamlined stainless steel disc ensures lower water head loss.
- ISO compatible top flange enables easy actuator mounting.
- Bi directional shut off seat prevents backflow within the pipeline.
- Manufactured from high quality ductile iron.
- Electrostatically coated with corrosion resistant epoxy powder internally and externally.

## Actuator technical data:

- Power supply voltage: 220V.
- Protection level: IP67.
- Working temperature: -5 °C to 70 °C.
- Working environment: No corrosive, flammable or explosive media.

## Actuator features and benefits:

- Temperature overload protection.
- Switchable between manual and electric actuation.
- IP67 protection level.
- Modulating type actuator.

## BWAX Concentric Butterfly Valve with Electric Modulating Actuator

Order code	Size	DN	L mm	H1 mm	H2 mm	H3 mm	øD1 mm	L1 mm	L2 mm	Power W	Switch time sec	Weight (kg)	Material code
B0050CWCNM20SO	2"	50	43	57	115	303	-	57	108	10	11	7.2	28101070004
B0065CWCNM20SO	2.1/2"	65	46	70	122	310	-	57	108	10	11	7.2	28101080004
B0080CWCNM20SO	3"	80	46	82	130	318	160	57	108	10	11	7.0	28101081004
B0100CWCNM20SO	4"	100	52	100	150	338	191	57	108	10	22	8.2	28101082004
B0125CWCNM20SO	5"	125	56	125	162	427	210	120	240	40	19	18.0	28101090004
B0150CWCNM20SO	6"	150	56	140	190	495	240	120	265	40	39	22.6	28101091004
B0200CWCNM20SO	8"	200	60	174	247	568	295	150	297	90	29	22.0	28101092004
B0250CWCNM20SO	10"	250	68	209	280	601	355	150	297	90	39	22.0	28101093004
B0300CWCNM20SO	12"	300	78	253	324	645	410	150	297	90	47	22.0	28101094004
B0350CWCNM20SO	14"	350	78	260	368	689	470	150	297	120	47	22.0	28101095004
B0400CWCNM20SO	16"	400	102	315	400	765	525	150	325	200	47	29.0	28101096008
B0450CWCNM20SO	18"	450	114	330	425	790	578	150	325	200	47	29.0	28101097008
B0500CWCNM20SO	20"	500	127	363	485	1017	635	302	182	200	76	76.0	28101098008
B0600CWCNM20SO	24"	600	154	440	565	1097	749	302	182	200	105	76.0	281010A0008