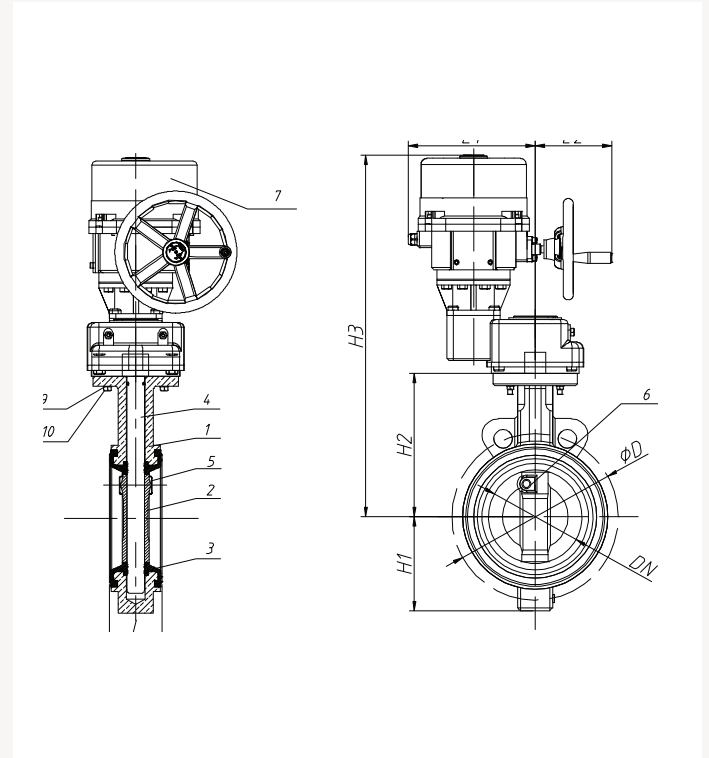


BWAX Wafer Concentric Butterfly Valve with Electric Modulating Actuator PN16



Note: This is a motorised version of the BW series butterfly valve. Modulating actuator.

Material specification

BWAX Wafer Concentric Butterfly Valve with Electric Modulating Actuator 2" to 24"

No	Component	Material
1	Body	Ductile iron GGG40
2	Disc	304 stainless steel
3	Seat	EPDM
4	Stem	410 stainless steel
5	Wedge pin	431 stainless steel
6	Screw pin	304 stainless steel
7	Actuator and gearbox	Manufactured by Rotork
8	Key	45 carbon steel
9	Washer	65 Mn steel
10	Bolt	Grade 8.8 carbon steel
11	O-ring	EPDM

Applicable standards:

- Design standard: EN 593.
- Flange connection standard: EN 1092-2.
- Face to face dimensions standard: EN 558-1 basic series 13.
- Top flange standard: ISO 5211/1.

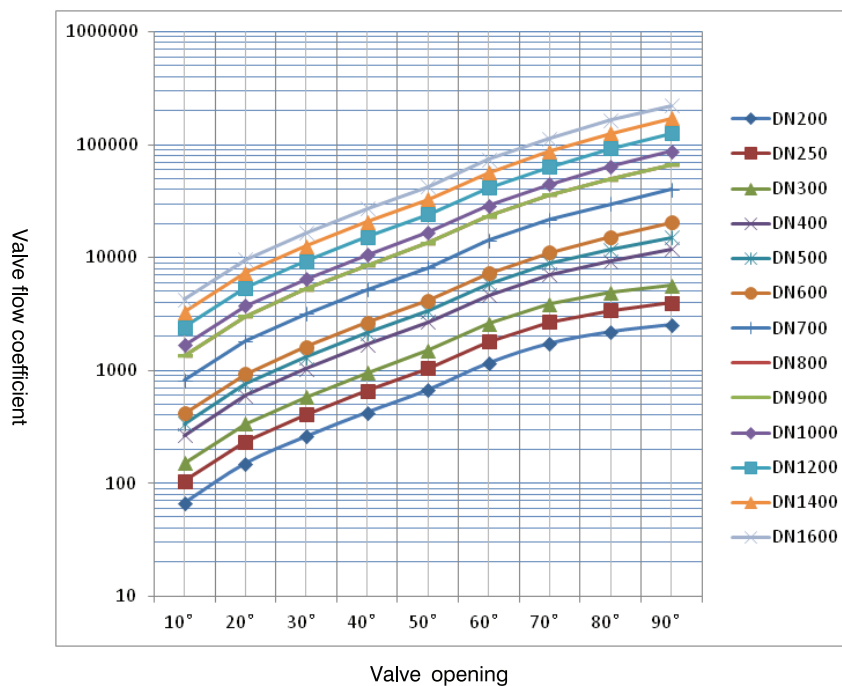
Technical data:

- Size: DN 400 - DN 1200 (16" - 48").
- Nominal pressure: PN10.
- Temperature range: -5 °C to 65 °C.
- Suitable for water and neutral liquids.

Features and benefits:

- Manufactured with a double flat disc structure for increased strength and stiffness.
- Designed to offer optimal seal performance.
- Low torque operation.
- Disc O-ring manufactured from high quality EPDM rubber.
- Disc O-ring designed for easy replacement.
- Manufactured from quality ductile iron.
- Suitable for water and neutral liquids.
- Manufactured from high quality ductile iron.
- Electrostatically coated with corrosion resistant epoxy powder internally and externally.

Valve opening - flow coefficient curve diagram



BFGX Flange Eccentric Butterfly Valve

Order code	Size	DN	L mm	H1 mm	H2 mm	H3 mm	H4 mm	D mm	D1 mm	D2 mm	D-d mm	Weight (kg)
B0350BFDTG13DO	14"	320	190	320	381	340	282	505	460	300	16-23	81.5
B0400BFDTG13DO	16"	400	216	350	401	360	282	565	515	300	16-28	103.4
B0450BFDTG13DO	18"	450	222	380	427	385	365	615	565	400	20-28	152.9
B0500BFDTG13DO	20"	500	229	410	466	425	365	670	620	400	20-28	181.3
B0600BFDTG13DO	24"	600	267	470	571	515	328	780	725	400	20-31	208.6
B0700BFDTG13DO	28"	700	292	535	615	560	467	895	840	400	24-31	293.5
B0800BFDTG13DO	32"	800	318	590	680	625	547	1015	950	400	24-34	589.3
B0900BFDTG13DO	36"	900	330	675	777	715	430	1115	1050	400	28-34	736.4
B1000BFDTG13DO	40"	1000	410	735	822	760	450	1230	1160	500	28-37	908.8
B1200BFDTG13DO	48"	1200	470	865	985	900	491	1455	1380	500	32-40	1516.5

BFGX PN16 product details and part no's available on request.