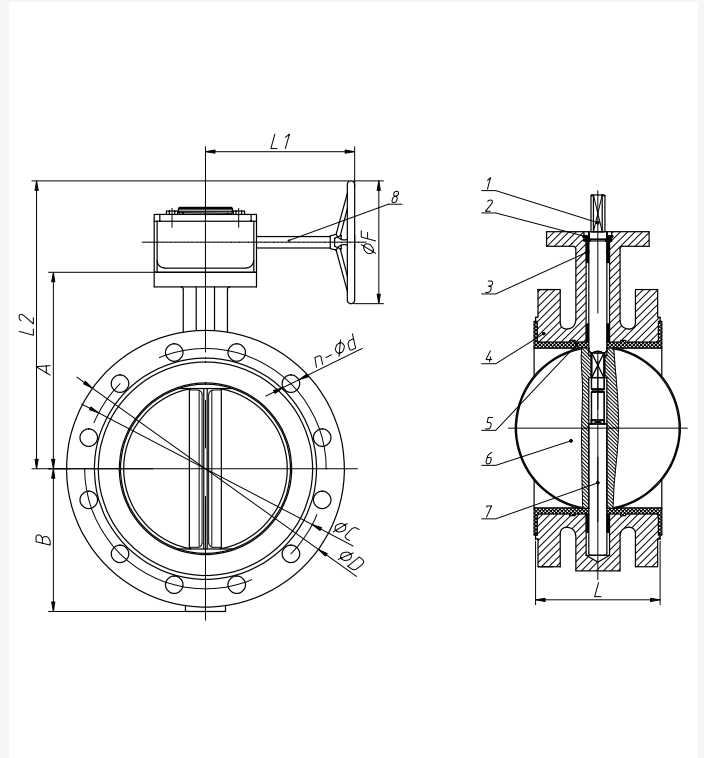


BZGX Flanged Concentric Butterfly Valve PN16



Material specification

**BZGX Flanged Concentric Butterfly Valve 2" to 24"**

No	Component	Material
1	Upper stem	420 stainless steel
2	Washer	65 Mn spring steel
3	O-ring	Rubber EPDM
4	Body	Ductile iron GGG40
5	Seat	Rubber EPDM
6	Disc	Option 1: 304 SS, handwheel operated Option 2: aluminium bronze with epoxy coating, T key operated Option 3: 316 SS, T key operated Option 4: 316 SS, operation bare stem
7	Lower stem	420 stainless steel
8	Gearbox	Rotork

# Butterfly Valves

## Applicable standards:

- Design standard EN 593.
- Flange connection standard EN1092-2.
- Top flange dimensions standard ISO 5211.
- Face to face dimensions standard EN 558-1 basic series 13.
- Pressure test standard EN 12266-1.

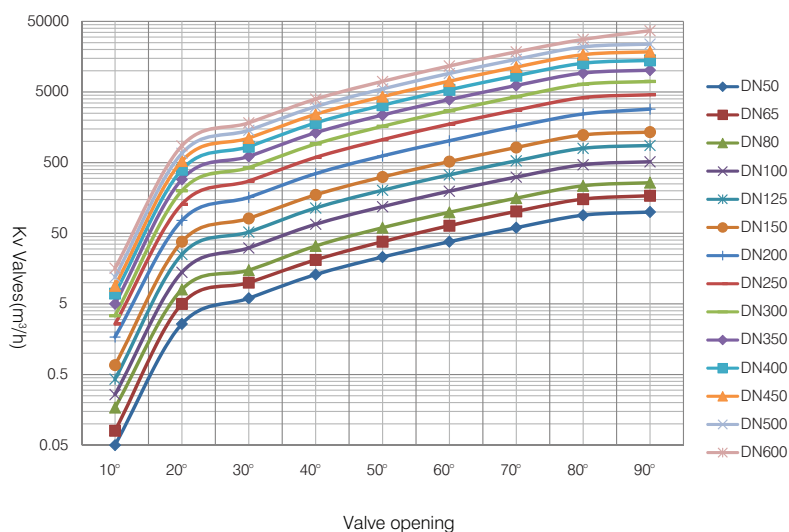
## Technical data:

- Size: DN 50 - DN 600 (2" - 24").
- Nominal pressure: PN16.
- Temperature range: -5 °C to 85 °C.
- Suitable for water and neutral liquids.

## Features and benefits:

- Flange type pattern design.
- Low torque operation.
- Designed with a bi-directional shut-off seat.
- Available in sizes 2" - 24".
- Manufactured from high quality ductile iron.
- Electrostatically coated with corrosion resistant epoxy powder internally and externally.
- Streamlined disc reduces head loss.
- Suitable for water and neutral liquids.
- Designed to facilitate easy mounting of hand gears and electric actuators.
- Valve seat fully vulcanized EPDM.
- Available with handwheel and gear operation.

## Opening - Kv value curve



## BZGX Flange Concentric Butterfly Valves

Order code option 1	Order code option 2	Order code option 3	Order code option 4	Size	DN	A mm	B mm	L mm	L2 mm	L1 mm	ØD mm	ØC mm	mm n-Ød mm	ØF mm	Weight (kg)
B0050CFDCG13SO	B0050CFDCG13SU	B0050CFDCG136U	B0050CFDCN136U	2"	50	131	83.25	108	220.5	155	165	125	4-M19	125	8.6
B0065CFDCG13SO	B0065CFDCG13SU	B0065CFDCG136U	B0065CFDCN136U	2.1/2"	65	142	85	112	231.5	155	185	145	4-M19	125	10.5
B0080CFDCG13SO	B0080CFDCG13SU	B0080CFDCG136U	B0080CFDCN136U	3"	80	155	92.5	114	244.5	155	200	160	8-M19	125	11.4
B0100CFDCG13SO	B0100CFDCG13SU	B0100CFDCG136U	B0100CFDCN136U	4"	100	168	108.5	127	257.5	155	220	180	8-M19	125	14.6
B0125CFDCG13SO	B0125CFDCG13SU	B0125CFDCG136U	B0125CFDCN136U	5"	125	184	121.5	140	273.5	155	250	210	8-M19	125	19.0
B0150CFDCG13SO	B0150CFDCG13SU	B0150CFDCG136U	B0150CFDCN136U	6"	150	202	138	140	291.5	155	285	240	8-M23	125	22.5
B0200CFDCG13SO	B0200CFDCG13SU	B0200CFDCG136U	B0200CFDCN136U	8"	200	241	161.5	152	369	170	340	295	8-M23	200	33.4
B0250CFDCG13SO	B0250CFDCG13SU	B0250CFDCG136U	B0250CFDCN136U	10"	250	272	195	165	400	170	405	355	12-M23	200	46.3
B0300CFDCG13SO	B0300CFDCG13SU	B0300CFDCG136U	B0300CFDCN136U	12"	300	308	222	178	436	170	460	410	12-M28	250	59.5
B0350CFDCG13SO	B0350CFDCG13SU	B0350CFDCG136U	B0350CFDCN136U	14"	350	330	250	190	520.5	250	520	470	16-M28	300	90.6
B0400CFDCG13SO	B0400CFDCG13SU	B0400CFDCG136U	B0400CFDCN136U	16"	400	375	292	216	565.5	292	580	525	16-M28	300	115.0
B0450CFDCG13SO	B0450CFDCG13SU	B0450CFDCG136U	B0450CFDCN136U	18"	450	405	307	222	647	307	640	585	16-M31	400	161.0
B0500CFDCG13SO	B0500CFDCG13SU	B0500CFDCG136U	B0500CFDCN136U	20"	500	450	342	229	692	342	715	650	20-M34	400	179.0
B0600CFDCG13SO	B0600CFDCG13SU	B0600CFDCG136U	B0600CFDCN136U	24"	600	518	433	267	816	433	840	770	20-M37	500	257.0

**Option 1:** BZGX Disc 304 SS, handwheel operated | **Option 2:** BZGX - Disc aluminium bronze with epoxy coating, T key operated

**Option 3:** BZGX - Disc 316 SS, T key operated | **Option 4:** BZGX - Disc 316 SS, operation bare stem