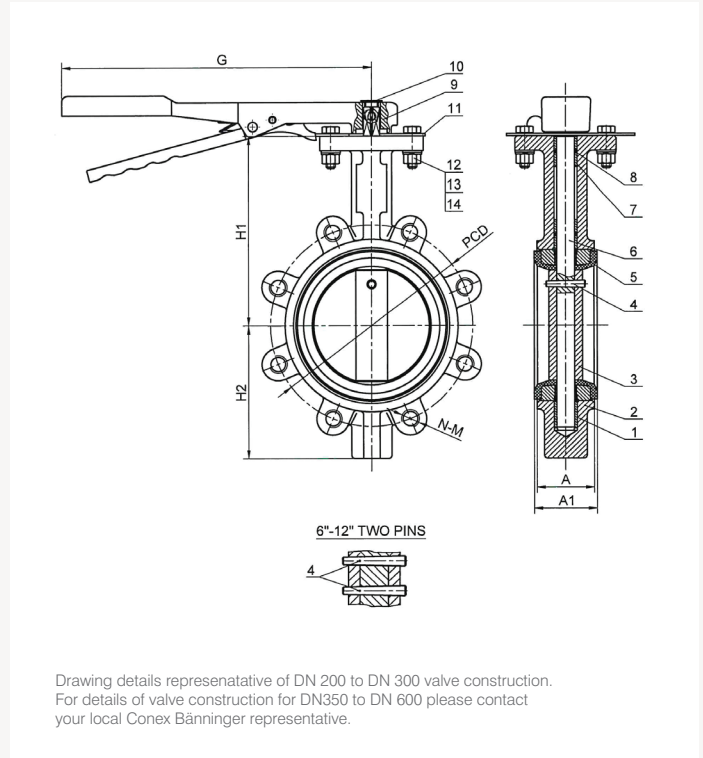


BLLX Lug Concentric Butterfly Valve PN16



Material specification

BLLX Lug Concentric Butterfly Valve 2" to 6"		
No	Component	Material
1	Bushing	PTFE
2	Body	Ductile iron
3	Disc	CF8/DI*/CF8M*/C94500*
4	Pin	Stainless steel SS316
5	Seat	EPDM
6	Shaft	Stainless steel SS410
7	Bushing	PTFE
8	O-ring	EPDM
9	Lever	Malleable iron
10	Plastic cover	ABS
11	Notch plate	Stainless steel SS304
12	Bolt	Carbon steel
13	Flat washer	Carbon steel
14	Spring washer	Spring steel 65 Mn

*Variants available to special order please contact your local Conex Bänninger representative.

Applicable standards:

- Design standard: EN 593 / BS 5155 / MSS SP-67 / AP1 609.
- Connection standard: EN 1092-2.
- Face to face standard: EN 558-1 basic series 20.
- Top flange standard: ISO 5211-1.

Technical data:

- Size: DN 200 – DN 600 (8" - 24").
- Nominal pressure: PN16.
- Test pressure shell: 24 bar.
- Test pressure seal: 17.6 bar.
- Temperature range: -20 °C to 110 °C
- Suitable for water and neutral liquids.

Features and benefits:

- Wafer pattern design, for quick installation.
- Replaceable wide EPDM seat suitable for variety of flange types.
- Bi directional shut off seat prevents backflow within the pipeline.
- Streamlined stainless steel disc ensures lower water head loss.
- Manufactured from high quality ductile iron.
- Electrostatically coated with corrosion resistant epoxy powder internally and externally. Minimum coating thickness 250 microns.
- Handwheel operation.

BWGX Wafer Concentric Butterfly Valve 8" to 24"

Order code	Size	DN	H1	H2	A	A1	L1	L2	L3	H	Ø
B0200CWCNG20SO	8"	200	230.6	176	59.6	64.1	75	208	171	80	280
B0250CWCNG20SO	10"	250	269.9	208.8	67	71.8	75	208	171	80	280
B0300CWCNG20SO	12"	300	327.8	248.5	75.5	79.5	80	212	198	80	280
B0350CWCNG20SO	14"	350	368	272	75.5	-	80	267	198	80	280
B0400CWCNG20SO	16"	400	400	333	102	-	125	275	280	99	400
B0450CWCNG20SO	18"	450	422	364	114	-	125	275	280	99	400
B0500CWCNG20SO	20"	500	480	389	127	-	130	350	316	150	400
B0600CWCNG20SO	24"	600	-	-	-	-	-	-	-	-	-

Note: For dimensional details of DN 600 please contact your local Conex Bänninger representative.

Variants with DI/CF8M/C94500 disc available to special order, please contact your local Conex Bänninger representative.

BWGX Wafer Concentric Butterfly Valve 8" to 24"

Kv Values - Valve Sizing Coefficients (m³/h@1bar) DN50 to DN150

Size	DN	10°	20°	30°	40°	50°	60°	70°	80°	90° Fully Open
8"	200	2.6	76.3	161.1	349.6	623.0	1030.0	1630.7	2445.6	2687.2
10"	250	3.4	129.4	274.2	594.7	1060.0	1754.1	2776.3	4163.7	4575.8
12"	300	4.3	200.5	424.2	918.6	1637.5	2709.5	4288.8	6432.7	7069.4
14"	350	5.1	289.6	612.7	1327.3	2365.9	3914.3	6195.4	9292.7	10211.7
16"	400	6.9	397.6	842.3	1825.2	3253.6	5383.0	8519.3	12778.9	14042.8
18"	450	9.4	527.0	1115.7	2418.2	4308.5	7129.4	11283.6	16925.4	18599.0
20"	500	12.0	677.8	1434.4	3108.8	5539.8	9167.1	14508.1	21761.8	23914.3
24"	600	18.9	1047.1	2216.8	4802.9	8559.6	14162.8	22413.9	33621.8	36946.0