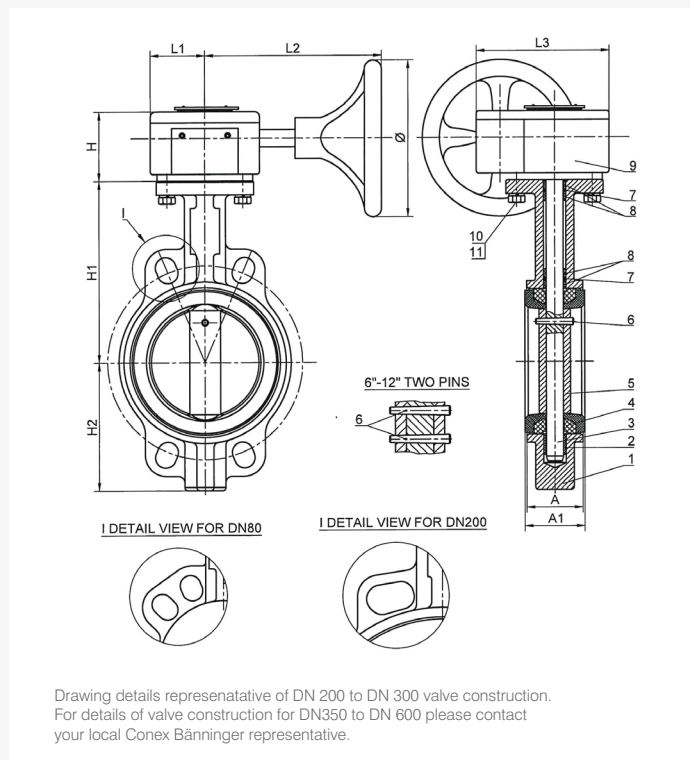


BWGX Wafer Concentric Butterfly Valve PN16



Material specification

BWGX Wafer Concentric Butterfly Valve 8" to 24"		
No	Component	Material
1	Body	Ductile iron
2	Bushing	PTFE
3	Shaft	Stainless steel SS410
4	Seat	EPDM
5	Disc	CF8/DI*/CF8M*/C94500*
6	Pin	Stainless steel SS316
7	O-ring	EPDM
8	Bushing	PTFE
9	Gearbox	Cast iron
10	Bolt	Carbon steel
11	Spring washer	Spring steel 65 Mn

*Variants available to special order. Please contact your local Conex Bänninger representative.

Material details representative of DN 200 to DN 300 valve construction. For details of valve construction for DN350 to DN 600 please contact your local Conex Bänninger representative.

Applicable standards:

- Design standard: EN 593 / BS 5155 / MSS SP-67 / AP1 609.
- Connection standard: EN 1092-2.
- Face to face standard: EN 558-1 basic series 20.
- Top flange standard: ISO 5211-1.

Technical data:

- Size: DN 50 - DN 150 (2" - 16").
- Nominal pressure: PN16.
- Test pressure shell: 24 bar.
- Test pressure seal: 17.6 bar.
- Temperature range: -10 °C to 80 °C (NBR O-ring), -20 °C to 110 °C (EPDM O-ring).
- Suitable for water and neutral liquids.

Features and benefits:

- Wafer pattern design, for quick installation.
- Lug pattern design, for high-pressure applications.
- Replaceable wide EPDM seat suitable for variety of flange types.
- Bi directional shut off seat prevents backflow within the pipeline.
- Streamlined stainless steel disc ensures lower water head loss.
- Manufactured from high quality ductile iron.
- Electrostatically coated with corrosion resistant epoxy powder internally and externally. Minimum coating thickness 250 microns.
- Low torque lever operation.

BWLX Wafer Concentric Butterfly Valve 2" to 6"

Order	Size	DN	H1	H2	A	G
B0050CWCNL20SO	2"	50	141.2	68.6	42	195/266
B0065CWCNL20SO	2 1/2"	65	150.4	76	44.5	195/266
B0080CWCNL20SO	3"	80	156.4	98.6	44.5	195/266
B0100CWCNL20SO	4"	100	167.9	118.7	51	266
B0125CWCNL20SO	5"	125	186.5	129.4	54.5	266
B0150CWCNL20SO	6"	150	205.7	142	54.5	328

Variants with DI/CF8M/C94500 disc available to special order. Please contact your local Conex Bänninger representative.

BWLX Wafer Concentric Butterfly Valve 2" to 6"

Kv Values - Valve Sizing Coefficients (m³/h@1bar) DN50 to DN150

Size	DN	10°	20°	30°	40°	50°	60°	70°	80°	90° Fully Open
2"	50	0.1	4.3	10.3	20.6	38.6	54.8	77.1	107.1	115.7
2 1/2"	65	0.2	6.9	17.1	31.7	55.7	84.0	123.4	174.8	188.5
3"	80	0.3	10.3	18.9	33.4	60.0	99.4	156.8	235.6	258.8
4"	100	0.4	14.6	30.8	66.8	119.1	197.1	311.9	467.9	514.1
5"	125	0.7	24.9	52.3	114.0	203.1	335.9	531.3	796.9	875.7
6"	150	1.7	38.6	81.4	175.7	313.6	518.4	820.9	1231.4	1353.0